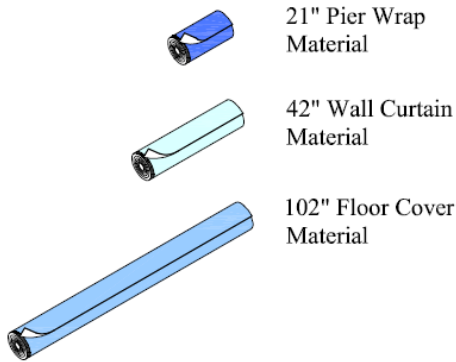
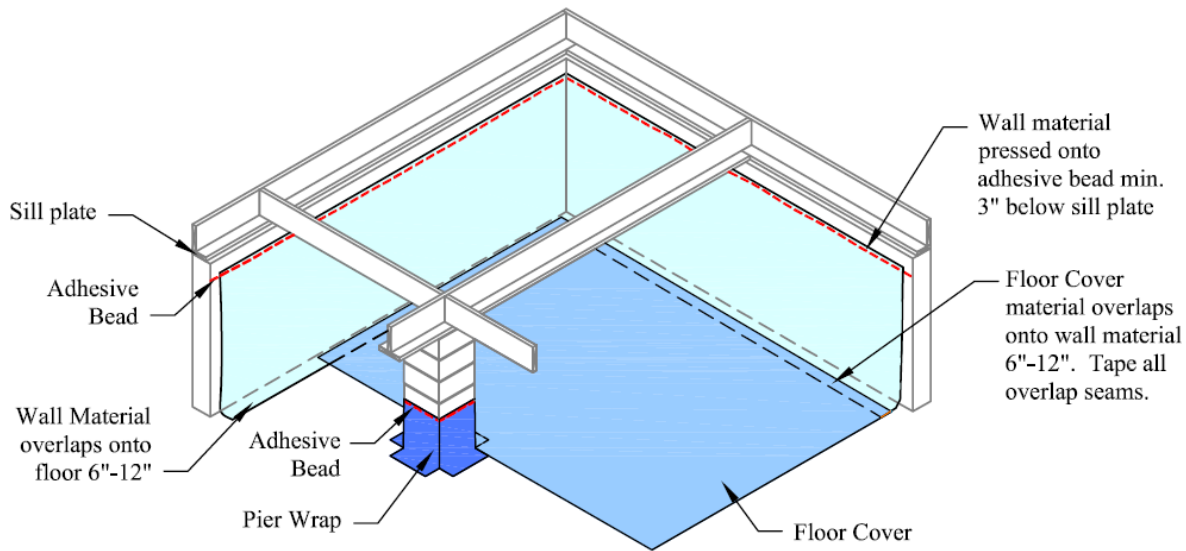


Closed Crawlspace Vapor Barrier Installation




Closed Crawlspace Installation Steps:

1. Clean out and grade crawlspace floor.
2. Apply Your Crawlspace Reinforced Crawlspace Liner Adhesive minimum 3" below sill plate.
3. Roll out pre-cut wall cover material and press into adhesive.
4. Apply Your Crawlspace Reinforced Crawlspace Liner Adhesive to piers approximately 18" above crawlspace floor.
5. Roll out pre-cut pier wrap material and press into adhesive.
6. Roll out pre-cut floor cover material, overlapping wall and pier material 6"-12".
7. Tape seams where materials overlap.

The Your Crawlspace System is a professional grade system, but is easy enough for a Do-It-Yourself project. We have an adhesive based system, with no need for special tools, drilling, or concrete nailers. Just apply a bead of our specified adhesive, then press on the material as you go.

Our patented material is a 20 mil reinforced crawlspace liner, that is antimicrobial treated and highly puncture and tear resistant. See our material data sheet for our Reinforced Crawlspace Liner which compares our liner to the common liners on the market.

PROPERTIES	 Crawlspace Liner	Standard Plastic Vapor Barrier	The Competition's Material
APPEARANCE	WHITE/WHITE	CLEAR OR BLACK	VARIES
NOMINAL THICKNESS	20 MIL	6 MIL	20 MIL
WEIGHT PER SQ YARD	7 OZ	4 OZ	11.2 OZ
WEIGHT PER 1000 SQ FT	48.6 LB	28 LB	75 LB
PUNCTURE STRENGTH	65 LBF	1.2 LBF	33 LBF
TENSILE STRENGTH	162 LBF	--	75 LBF